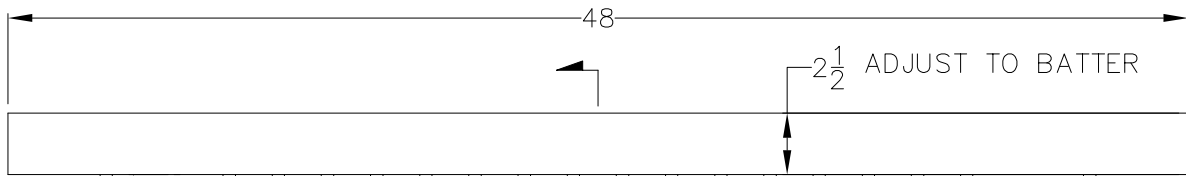


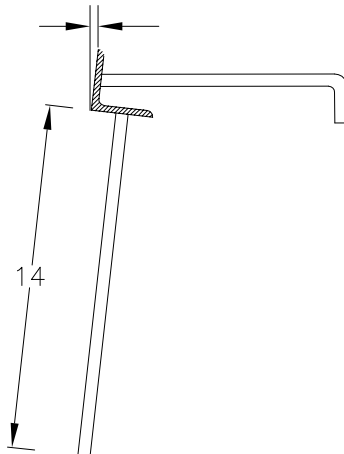
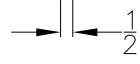
1/4"X2-1/2"X2-1/2" ANGLE



14



1/2" RD BAR TRASH RACK



SECTION VIEW

NOTES:  
 MATERIAL: STEEL ASTM A-36  
 FINISH: MILL, PAINT OR HOT DIP GALVANIZED ASTM A123

GDO FACE ANGLE W/ TRASH TEETH  
 FOR PUMP STATION INSTALLATION

**SOUTH BAY FOUNDRY**  
 STEEL DIVISION  
 9444 ABRAHAM SANTEE, CA 92071, USA.

PHONE(619)956-2780 FAX(619)956-2788

|                |              |               |             |
|----------------|--------------|---------------|-------------|
| APPROVAL DATE: | DRAWN BY: BE | WT.           | I.D.# E2066 |
| APPROVED BY:   | SCALE: NTS   | DATE: 3/25/09 | SHEET:      |